

# CL Challenger Lifts



## Model#: E10

Versymmetric® 2-Post Lift  
Shown in Asymmetric application  
10,000 lb. capacity



## Model#: E12

Heavy-Duty Symmetric 2-Post Lift  
12,000 lb. capacity



## E-series

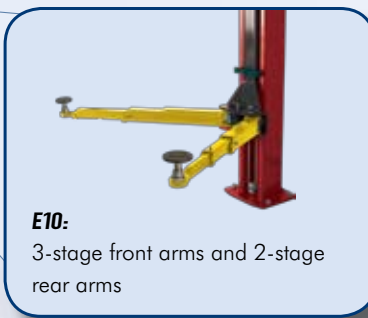
E-Series offer great features and an even better price. The E-Series two post automotive lifts are manufactured to the highest Challenger standards. As with all Challenger Lifting products they are designed for durability and long lasting dependability.

Challenger Lifts' E10 (10,000 lb. capacity) and E12 (12,000 lb. capacity) two post lifts have many great optional accessories available. Raise them even higher with the optional 2' column height extensions, which are available for both models. Available in red and blue.

## E10

The E10 (10,000 lb. capacity) two post lift features Challenger's innovative Versymmetric® Technology, providing technicians the versatility to lift vehicles both symmetrically and asymmetrically within the same service bay. This exclusive technology facilitates increased efficiency and revenue potential.

With double telescoping screw pads, durable powder coat finish, plated arm restraints and pins the E10 will accommodate the rigorous demands of a full service facility. Raise it even higher with optional column height extensions which will provide an additional 2' overhead clearance. With the economic choice of the E10 you can afford to grow with its competitive price. Available in red or blue.



**E10:**  
3-stage front arms and 2-stage rear arms

**Versymmetric®  
Technology**

### Features & Benefits:

- Versymmetric® 3-stage front arms and 2-stage rear arms provide a wide arm sweep for:
  - » Asymmetric or Symmetric lifting in the same service bay
  - » Uni-body design vehicles
  - » Vehicles with designated outside lift points
  - » Wider vehicles
  - » Low profile vehicles
  - » Both short and long wheelbases
- 11' 11-7/8" standard height fits in service bay with 12' ceiling height
- Optional 2' column height extensions accommodate higher profile vehicles
- Double Telescoping Screw Pads adjust to multiple heights minimizing the need for adapters
- Rubber foot pads minimize stress to vehicles with delicate undercoatings
- Padded overhead shut off system prevents vehicle damage
- Single-point mechanical lock release system allows technician to disengage both columns simultaneously
- Rubber door guards protect vehicle from door damage
- Premium powder coat finish provides long-lasting durability
- Plated Arm Restraints and Arm Pins inhibit rust and provide long-lasting durability

2' column height extensions accommodate higher profile vehicles. Includes (2) height extensions, hose extension kit and new cables.

#### E10

#### Part #: E10EH2

Overall height with 2' Extension:  
13' 11 1/8" (4265mm)



## E12

The E12 (12,000 lb. capacity) two post lift provides symmetric lifting capability, maximum room to work underneath vehicles and room to grow because it is the economic choice. It's adjustable height accommodates higher profile vehicles and provides ample headroom for day to day servicing. And it's competitive price allows the budget conscious service facility room for expansion. Available in red or blue.



**E12:**  
2-stage telescopic arms for symmetric lifting (shown with standard stack adapters)

### E12 comes standard with:



† Frame engaging adapters (10314 or 10318) are REQUIRED when lifting vehicles with frame construction.

2' column height extensions accommodate higher profile vehicles. Includes (2) height extensions, hose extension kit and new cables.

### E12

#### Part#: E12EH2

Overall height with 2' Extension:  
Adj. 15' 10" or 16' 7" (4826mm or 5055mm)



### Features & Benefits:

- Heavy-Duty 2-stage telescoping arms provide excellent reach and retraction to accommodate vehicle lifting points
- 13' 10" or 14' 7" adjustable column height accommodates higher profile vehicles and provides maximum headroom to work underneath vehicles
- Optional 2' column height extensions accommodate higher profile vehicles
- Heavy-Duty telescoping Screw Pads adjust to multiple heights minimizing the need for adapters
- Padded overhead shut off system prevents vehicle damage from being raised too high
- Single-point mechanical lock release system allows technician to disengage both column locks simultaneously
- Rubber door guards protect vehicle from door damage
- Premium powder coat finish provides long-lasting durability
- Plated Arm Restraints and Arm Pins inhibit rust and provide long-lasting durability

Model Number	E10	with E10EH2** column height extensions	E12	with E12EH2*** column height extensions
Lifting Capacity*	10,000 lb. (4536kg)		12,000 lb. (5443kg)	
<b>A</b> Rise Height <sup>1</sup>	74 <sup>3</sup> / <sub>4</sub> " (1899mm)		78 <sup>1</sup> / <sub>8</sub> " (1984mm)	
<b>B</b> Overall Height	11' 11 <sup>7</sup> / <sub>8</sub> " (3655mm)	13' 11 <sup>7</sup> / <sub>8</sub> " (4265mm)	Adj. 13' 10" or 14' 7" (4216mm or 4445mm)	Adj. 15' 10" or 16' 7" (4826mm or 5055mm)
<b>C</b> Overall Width	10' 11 <sup>3</sup> / <sub>4</sub> " (3347mm)		11' 7 <sup>3</sup> / <sub>4</sub> " (3550mm)	
<b>D</b> Drive-thru Clearance	98 <sup>3</sup> / <sub>8</sub> " (2499mm)		103" (2616mm)	
<b>E</b> Floor to Overhead Switch	137" (3482mm)	161" (4092mm)	13' 3 <sup>1</sup> / <sub>2</sub> " or 14' 1 <sup>1</sup> / <sub>2</sub> " (4051mm or 4280mm)	183 <sup>1</sup> / <sub>2</sub> " or 192 <sup>1</sup> / <sub>2</sub> " (4661mm or 4890mm)
<b>F</b> Arm Reach (Min.)	Front Arm 21 <sup>3</sup> / <sub>4</sub> " (553mm) - Rear Arm 38 <sup>1</sup> / <sub>4</sub> " (971mm)		35 <sup>3</sup> / <sub>4</sub> " (910mm)	
<b>G</b> Arm Reach (Max.)	Front Arm 39 <sup>1</sup> / <sub>4</sub> " (998mm) - Rear Arm 55 <sup>3</sup> / <sub>8</sub> " (1407mm)		54 <sup>1</sup> / <sub>2</sub> " (1386mm)	
<b>H</b> Adj. Screw Pad Height	4 <sup>1</sup> / <sub>4</sub> " - 6 <sup>3</sup> / <sub>4</sub> " (108 - 172mm) <sup>2</sup>		5 <sup>1</sup> / <sub>4</sub> " - 7 <sup>1</sup> / <sub>4</sub> " (133mm - 184mm)	
Adj. Adapter Height (with 3" Extensions and Screw Pad)	7 <sup>1</sup> / <sub>4</sub> " - 9 <sup>3</sup> / <sub>4</sub> " (181 - 235mm)		8 <sup>1</sup> / <sub>4</sub> " - 10 <sup>1</sup> / <sub>4</sub> " (210mm - 260mm)	
Adj. Adapter Height (with 6" Extensions and Screw Pad)	10 <sup>1</sup> / <sub>4</sub> " - 12 <sup>3</sup> / <sub>4</sub> " (257 - 311mm)		11 <sup>1</sup> / <sub>4</sub> " - 13 <sup>1</sup> / <sub>4</sub> " (286mm - 337mm)	
<b>I</b> Inside of Columns	110 <sup>1</sup> / <sub>4</sub> " (2800mm)		115" (2921mm)	
Motor	2HP, Single Phase, 60Hz		2HP, Single Phase, 60Hz	
Voltage	208 - 230v		208 - 230v	
Speed of Rise	50 Seconds		66 Seconds	
Max. Load Per Arm	2,500 lb. (1134kg)		3,000 lb. (1361kg)	
Ceiling Height Required	12' (3658mm)	14' (4268mm)	13' 11" or 14' 8" (4242mm or 4470mm)	15' 11" or 16' 8" (4851mm or 5080mm)

\*Lift capacity ratings are based on loads equally distributed on all four arms.

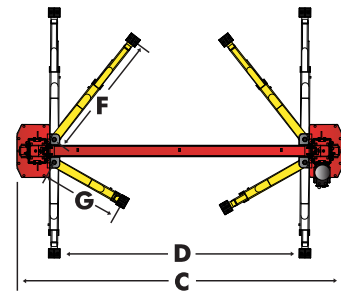
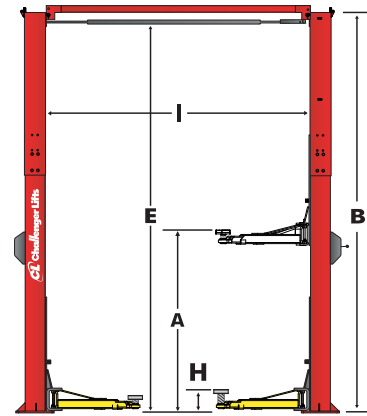
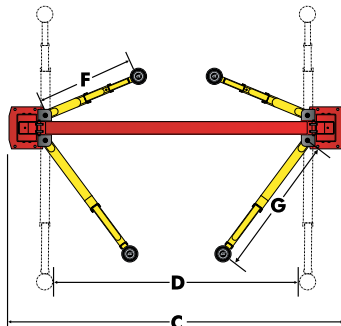
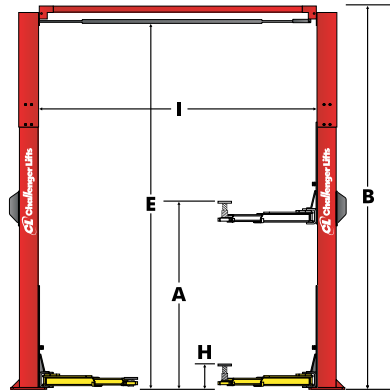
<sup>1</sup> Rise height measured with telescoping screw pad in highest position.

\*\* Specifications are for Lift Model E10 with optional accessory E10EH2 column height extensions (Must order both E10 and E10EH2 for new lift purchase or E10EH2 for addition of 2' height extension to an existing lift.

\*\*\* Specifications are for Lift Model E12 with optional accessory E12EH2 column height extensions (Must order both E12 and E12EH2 for new lift purchase or E10EH2 for addition of 2' height extension to an existing lift.

<sup>2</sup> Specifications are listed without rubber pad, for measurements with rubber pad add 1/4" (6mm).

<sup>†</sup> Frame engaging adapters (10314 or 10318) are REQUIRED when lifting vehicles with frame construction.



For more information, contact your Authorized Challenger Lifts Distributor:

The Automotive Lift Institute (ALI) certifies that the E10 and E12 described herein complies with the applicable provisions of the American National Standards ANSI/ALI ALCTV 2011 and is Third Party Validated by the ETL Testing Laboratory.



CHALLENGER LIFTS, INC.  
200 Cabel Street  
Louisville, Kentucky 40206

Phone Toll-Free: 800-648-5438  
502-625-0700

Fax: 502-625-0711

E-mail: sales@challengelifts.com

Challenger Lifts, Inc. reserves the right to make changes to specifications without notice and without making changes retroactive. Unloading, installation and oil not included.