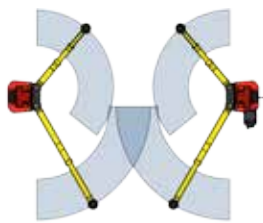


# CL Challenger Lifts



**Model#: SA10**  
Symmetric/Asymmetric 2-Post Lift  
10,000 lb. capacity

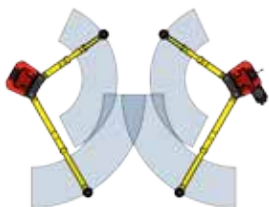
## SA10



### Arm Coverage

Symmetrical Configuration

3-Stage front and 2-Stage rear arms.



Asymmetrical Configuration

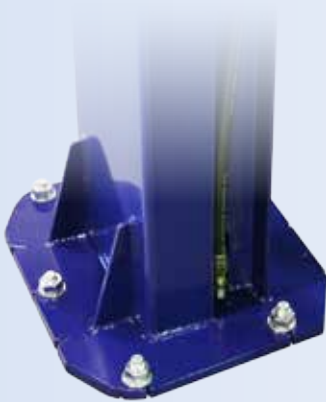
3-Stage front and 2-Stage rear arms.

Challenger Lifts' SA10 features the ability to be configured in either the symmetric or asymmetric position dependant upon the service requirements of your shop. The SA10 features 3-stage front arms that provide maximum extension and retraction ensuring safe and reliable lifting on all vehicles within rated capacity.

With adjustable height and width options, double telescoping screw pads, durable powder coat finish, plated arm restraints and pins and many other appealing features, the SA10 will accommodate the rigorous demands of a full service facility. Available in red and blue.

## Features & Benefits:

- 3-stage front arms provide greater overall arm sweep
- Set up in a symmetric or asymmetric configuration
- Adjustable height and width options accommodate varying service bay sizes
- Double Telescoping Screw Pads adjust to multiple heights minimizing the need for adapters
- Rubber foot pads minimize stress to vehicles with delicate undercoatings
- Padded overhead shut off system prevents vehicle damage
- Single-point mechanical lock release system allows technician to disengage both columns simultaneously
- Wide rubber door guards protects vehicle from door damage
- Premium powder coat finish provides long-lasting durability
- Plated Arm Restraints and Arm Pins inhibit rust and provide long-lasting durability
- Mirrored "S" shaped column



For more information, contact your Authorized Challenger Lifts Distributor:

	SA10	
	Symmetric Application	Asymmetric Application
Lifting Capacity	10,000 lbs.	
<b>A</b> Rise Height <sup>1</sup>	74 1/2" (1892mm)	
<b>B</b> Overall Height	11' 4 1/2" / 11' 10 1/2" (3467 / 3620mm)	
<b>C</b> Overall Height (Cylinder Extended)	11' 10 1/2" (3620mm)	
<b>D</b> Overall Base Width	10' 9" / 11' 3" (3277 / 3429mm)	10' 11 1/2" / 11' 5 1/2" (3340 / 3493mm)
<b>E</b> Drive-Thru Clearance	92 3/4" / 98 3/4" (2356 / 2508mm)	88 1/2" / 94 1/2" (2400 / 2426mm)
<b>F</b> Floor to Overhead Switch	131 1/8" / 137 1/8" (3331 / 2483mm)	
<b>G</b> Short Arm Reach	22 3/8" - 41 1/2" (568 - 1054mm)	
<b>H</b> Long Arm Reach	38 1/4" - 59" (972 - 1499mm)	
<b>I</b> Screw Pad Height <sup>2</sup>	4 3/8" - 6 1/2" (111 - 165mm)	
<b>J</b> Inside of Columns	106 3/4" / 112 3/4" (2711 / 2864mm)	101 1/2" / 107 1/2" (2578 / 2731mm)
Motor	2HP, Single Phase, 60Hz	
Voltage	208-230v	
Speed of Rise	48 Seconds	
Max Load Per Arm	2,500 lbs. (1134kg)	
Ceiling Height Required	12' (3658mm)	

\*Lift capacity ratings are based on loads equally distributed on all four arms.

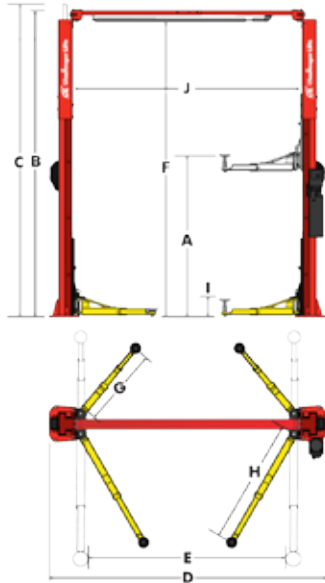
<sup>1</sup> Rise height is measured with adjustable screw pads in highest position.

<sup>2</sup> Specifications are listed without rubber pad, for measurements with rubber pad add 1/4" (6mm).

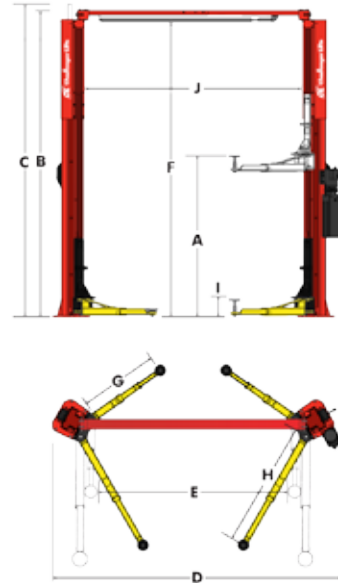
<sup>3</sup> Overall Width of Asymmetric lift is 11' 3" / 11' 9" including Power Unit.

<sup>4</sup> Frame engaging adapters (10314 or 10318) are REQUIRED when lifting vehicles with frame construction.

### Symmetric Application



### Asymmetric Application



The Automotive Lift Institute (ALI) certifies that the SA10 described herein complies with the applicable provisions of the American National Standards ANSI/ALI ALCTV 2011 and is Third Party Validated by the ETL Testing Laboratory.

CHALLENGER LIFTS, INC.  
200 Cabel Street  
Louisville, Kentucky 40206

Phone Toll-Free: 800-648-5438  
502-625-0700  
Fax: 502-625-0711  
E-mail: sales@challengerylifts.com

Challenger Lifts, Inc. reserves the right to make changes to specifications without notice and without making changes retroactive. Unloading, installation and oil not included.